

Tetra® miniMAX

LED Lighting System

With all new **OptiLens™ X** and groundbreaking energy efficiency

Tetra® miniMAX white—the 24V remarkable LED system designed for small & medium channel letters as shallow as 3 inches in depth delivers incredibly uniform light, installs easily and operates efficiently. The **Tetra® miniMAX** is now IP66 and UL wet rated which makes it more robust and reliable even under wet weather.



Powerful all new **OptiLens™ X**

Tetra® miniMAX features all new **OptiLens™ X** a *new* patented technology that allows for an incredible **175°** viewing angle. The all *new* **Tetra® miniMAX** is your best option to significantly reduce energy and maintenance costs.

Power Supply Loading

The *new* 24V **Tetra® miniMAX white** loading improves 38% from the previous 12V generation. Now load up to 110 feet (33.5 m) or 220 modules of product per GEPS24-100U-NA power supply.

Improved stroke spacing

The *new* 24V **Tetra® miniMAX** stroke spacing has improved on average by 30%, thanks to the *new* **OptiLens™ X** wide beam angle.

Tetra® miniMAX Features

- Wide 175° beam angle
- Improved luminous intensity
- Efficacy: 157 lm/W for the whites
- 24 Volt DC, Class 2 (UL), Class III (IEC)
- UL Wet Rated & IP66- no separate enclosure is required
- 5 years limited Warranty

	TETRA miniMAX	
	Can Depth	Coverage
Small	1.5-3" (38-76mm)	3-6.5" (76-165mm)
	3-4" (76-102mm)	5-8" (127-203mm)
Medium	4-5" (102-127mm)	8-11" (203-279mm)
	5-6" (127-152mm)	13-15" (330-381mm)

Total GE Reliability

To ensure every Tetra® miniMAX installation will operate brilliantly for years, we perform the most extensive, stringent testing in the industry. We test the LED, water and dust ingress protection, sub-system and complete system at our in-house and independent laboratories around the world. Validation of our designs, components, products and processes include high-temperature, high-humidity and accelerated life testing.

Components

SKU	Description	Details	Color	Order unit	Pkg Quantity	Additional Information
93053666	GEMM2471-W1	Tetra® miniMAX 24V 7100K	White	Box	5 Strips/Box	40 modules/strip (20 ft/strip)
93053667	GEMM2450-W1	Tetra® miniMAX 24V 5000K	Warm White	Box	5 Strips/Box	40 modules/strip (20 ft/strip)
93053668	GEMM2441-W1	Tetra® miniMAX 24V 4100K	Warm White	Box	5 Strips/Box	40 modules/strip (20 ft/strip)
93053669	GEMM2432-W1	Tetra® miniMAX 24V 3200K	Warm White	Box	5 Strips/Box	40 modules/strip (20 ft/strip)
93069932	GEMM24RD-W1	Tetra® miniMAX colors 24V - 625nm	Red	Box	5 Strips/Box	40 modules/strip (20 ft/strip)
93069933	GEMM24GL-W1	Tetra® miniMAX colors 24V - 530nm	Green	Box	5 Strips/Box	40 modules/strip (20 ft/strip)
93069934	GEMM24BL-W1	Tetra® miniMAX colors 24V - 470nm	Blue	Box	5 Strips/Box	40 modules/strip (20 ft/strip)

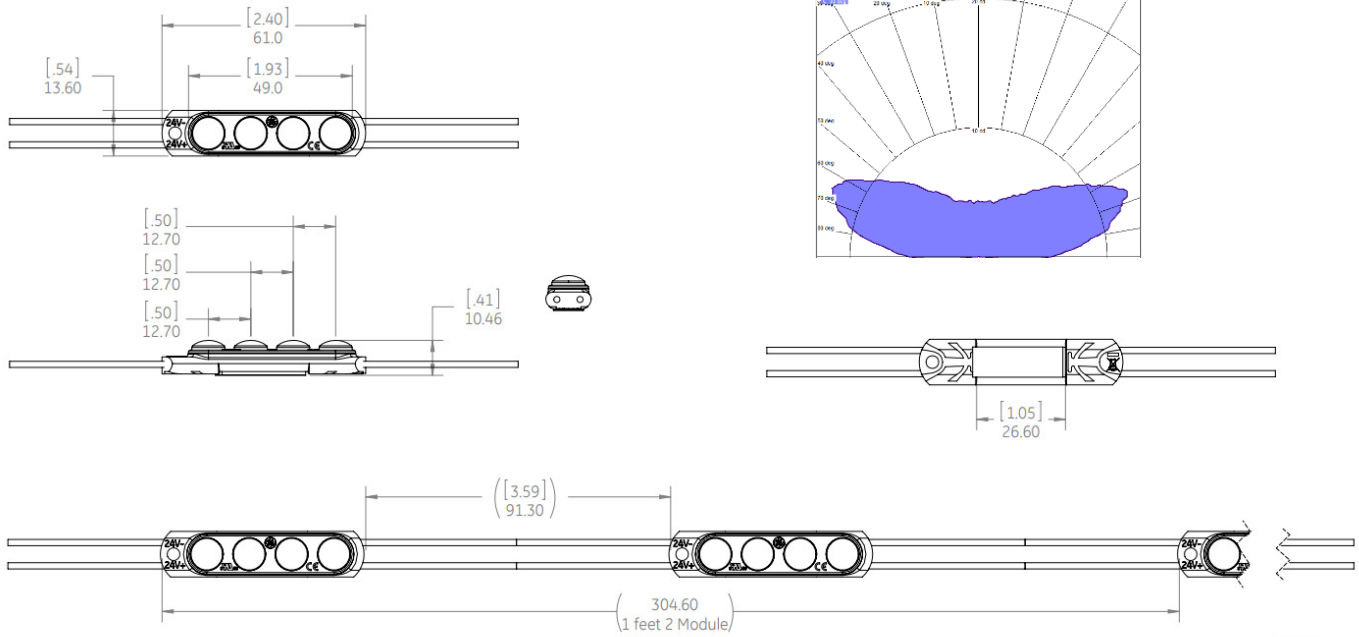
Technical Specifications

Description	Wavelength/ CCT	Typical Brightness (Lumens/ module)	Typical Brightness Lumen/ft (Lumen/m)	Energy Consumption (Strip/Module)	Energy Consumption (System/Module)	Power Supply Loading	Viewing Angle
GEMM2471-W1	7100K	55	110 (361)	0.35w/module	0.41w/module	110 ft (33.5 m) /100WPS	175
GEMM2450-W1	5000K	55	110 (361)	0.35w/module	0.41w/module	110 ft (33.5 m) /100WPS	175
GEMM2441-W1	4100K	55	110 (361)	0.35w/module	0.41w/module	110 ft (33.5 m) /100WPS	175
GEMM2432-W1	3200K	50	100 (328)	0.35w/module	0.41w/module	110 ft (33.5 m) /100WPS	175
GEMM24RD-W1	625nm	15	30 (98.4)	0.34w/module	0.40w/module	120 ft (36.5 m) /100WPS	175
GEMM24GL-W1	530nm	33	66 (216.5)	0.58w/module	0.68w/module	71 ft (21.6 m) /100WPS	175
GEMM24BL-W1	470nm	11	22 (72.2)	0.53w/module	0.62w/module	77.5 ft (23.6 m) /100WPS	175

Specification Item	Specification				
	Whites		Colors		
LEDs/Module	4		2		
LEDs/ft (LEDs/m)	8 (26)		4 (13)		
Modules/ ft. (Modules/m)	2 (6.6)		2 (6.6)		
Module Dimensions (h x l x w)	0.41 in x 2.4 in x 0.54 in (10.46 mm x 61 mm x 13.6 mm)		0.43 in x 2.47 in x 0.6 in (11.01 mm x 62.7 mm x 15.3 mm)		
Cutting Resolution	Cut on wire between every module				
Power Supply	GEPS24-25-NA Input: 100-305VAC; Output: 24VDC GEPS24D-80U Input: 90-305VAC; Output: 24VDC GEPS24-100U Input: 108-305VAC; Output: 24VDC GEPS24-180U Input: 90-305VAC; Output: 24VDC GEPS24-300U Input: 108-305VAC; Output: 24VDC				
Maximum Supply Wire Limits		18 AWG/0.82 mm² Supply Wire	16 AWG/1.31 mm² Supply Wire	14 AWG/2.08 mm² Supply Wire	12 AWG/3.31 mm² Supply Wire
	25W Power Supply	120 ft./36.6 m	-	-	-
	80W Power Supply	20 ft./6.1 m	25 ft./7.6 m	35 ft./10.6 m	40 ft./12.1 m
	100W Power Supply	20 ft./6.1 m	25 ft./7.6 m	35 ft./10.6 m	40 ft./12.1 m
	180W Power Supply	20 ft./6.1 m	25 ft./7.6 m	35 ft./10.6 m	40 ft./12.1 m
	300W Power Supply	20 ft./6.1 m	25 ft./7.6 m	35 ft./10.6 m	40 ft./12.1 m
Operating Environment	-40 °C to +60 °C				
Warranty	GE offers a limited system warranty of up to five (5) years				
System Certifications	UL Recognized (C-US) #E219167, UL Classified (C-US) #E229508, CE, ROHS IP66 rated: for dry, damp or wet location.				

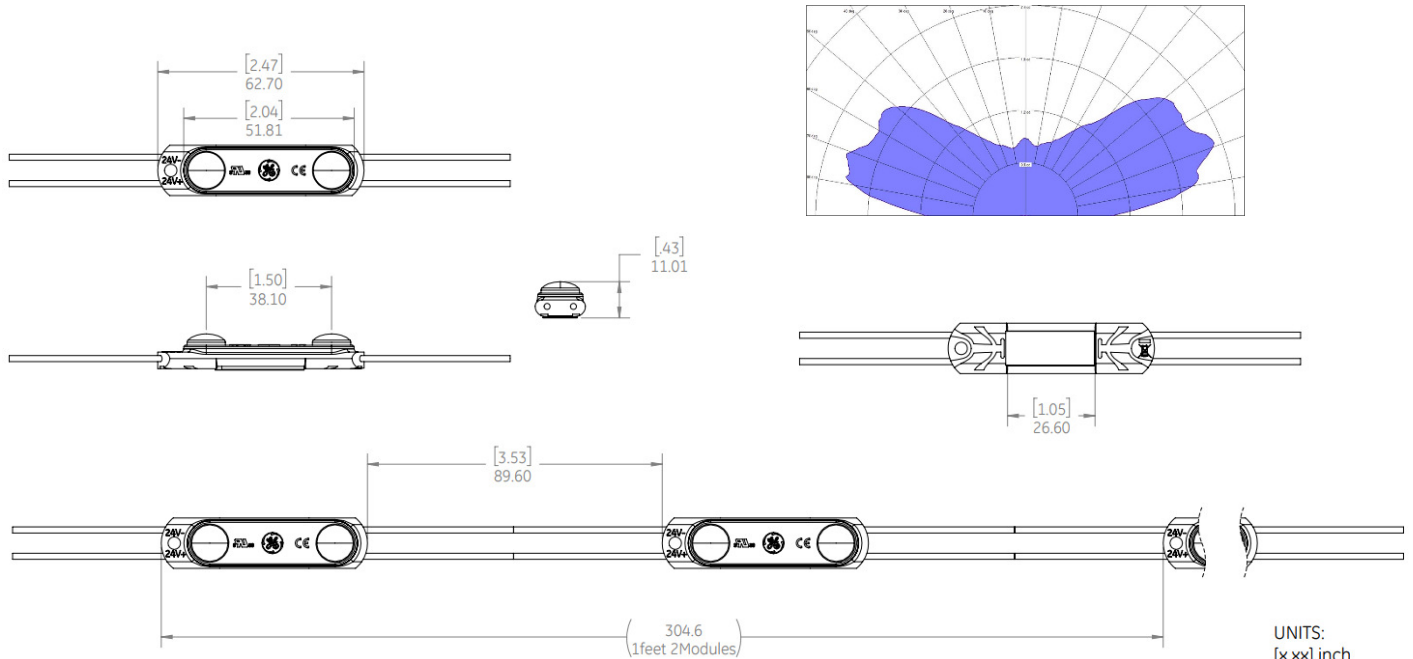
Mechanical Outline & Viewing Angle

Tetra miniMAX 24V whites



UNITS:
[x.xx] inch
x.xx mm

Tetra miniMAX 24V colors



UNITS:
[x.xx] inch
x.xx mm