

BackLED M Core Product G5 High Output

24 V Backlighting modules

Product Specification



Product Description

BackLED M-HO CP G5 family delivers the best performance and optical effect for reliable outdoor advertising light box and channel letter designs.

- Compatible with OSRAM OPTOTRONIC drivers
- Lifetime L70B50 50khrs @ Tc 70°C
- System warranty up to 5 years

CE, ENEC, UL, BIS certified

(in preparation, if not printed on label)

Benefits

- Upgraded flux output up to 150lm
- Uniform light pattern design for 60-150mm light-box depth
- Back-side injection technology for optimal protection

Features

- Color consistency in 3SDCM
- Patented Square Lens technology
- High efficacy at 150lm/W
- IP66

Table 1. Technical Operation Data

Product name	Color	CCT	Module per Chain (pcs)	Voltage (V DC)	Power per Module (W)	Beam Angle (FWHM)	Flux Output per Module (lm)
BA-M-HO-CP-810-24-G5	Ultra-Cool	10000K	40	24	1	160°	137.5
BA-M-HO-CP-880-24-G5	Cool White	8000K	40	24	1	160°	137.5
BA-M-HO-CP-871-24-G5	Cool White	7100K	40	24	1	160°	150
BA-M-HO-CP-865-24-G5	Cool White	6500K	40	24	1	160°	150
BA-M-HO-CP-840-24-G5	Neutral White	4000K	40	24	1	160°	150
BA-M-HO-CP-830-24-G5	Warm White	3000K	40	24	1	160°	137.5

* Due to the special conditions of the manufacturing processes of LED the typical data of technical parameters can only reflect statistical figures and do not necessarily correspond to the actual parameters of each single product which could differ from the typical data. All values are tested at Ta 25°C.

*Recommended Max. quantity of modules in series is 40pcs per loop to ensure light uniformity

*The LED modules must not be operated in places which are directly exposed to atmospheric conditions. For outdoor applications, hence the LED module must be protected by appropriate sealed enclosures or covers. Operation in or under water is prohibited.

Table 2. Minimum / Maximum Rating

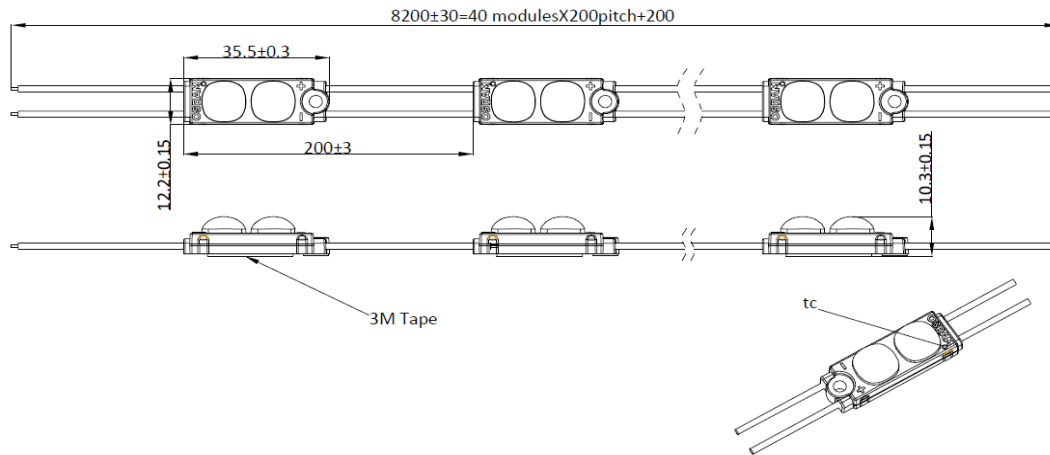
Product name	Operating Temperature at Tc Point (°C)	Storage Temperature (°C)	Voltage Range (V DC)
BA-M-HO-CP-8xx-24-G5	-25...70°C	-25...85°C	23...25

Table 3. Lifetime and Warranty

Product name	Max Case Temperature (Tc)	L70B50 Lifetime (hrs)	Warranty (years)
BA-M-HO-CP-8xx-G5	70°C	50,000	5

* Five-year warranty is provided only when the module is installed with proper screws or other enhancement methods (e.g. silicone glue, mounting profile) on back plane.

Mechanical Dimensions



Light Distribution

Product name	Distribution Graph	Beam angle range
BA-M-HO-CP-G5		<p>160 ± 10°</p>

Ordering Code

Product Code	EAN 10	EAN 40	S-Unit (pcs)
BA-M-HO-CP-810-24-G5	4052899627550	4052899628434	30
BA-M-HO-CP-880-24-G5	4052899627567	4052899628441	30
BA-M-HO-CP-871-24-G5	4052899627574	4052899628458	30
BA-M-HO-CP-865-24-G5	4052899627581	4052899628465	30
BA-M-HO-CP-840-24-G5	4052899627598	4052899628472	30
BA-M-HO-CP-830-24-G5	4052899627604	4052899628489	30

EAN 10: Ordering number per single sale unit, S-Unit: the number of reels per shipping unit box